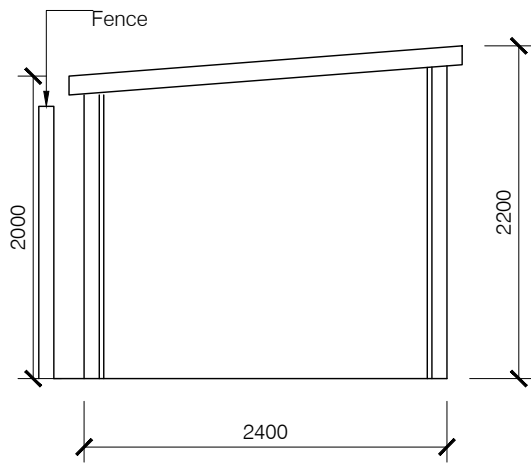
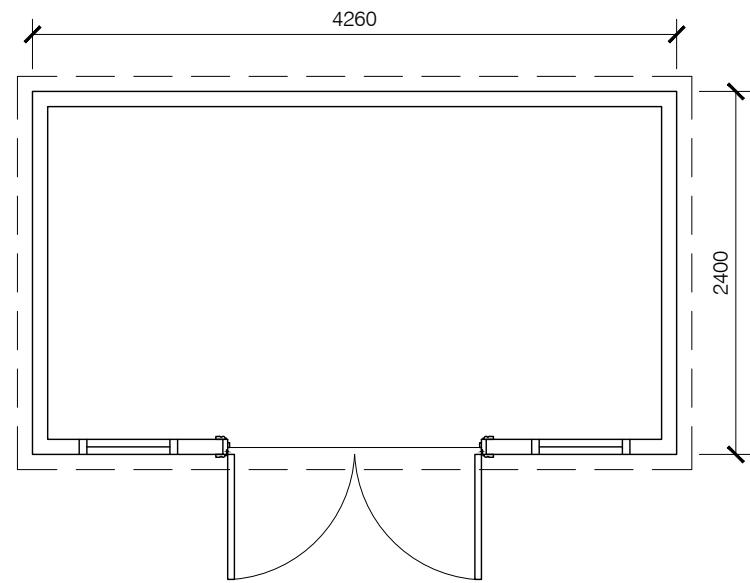
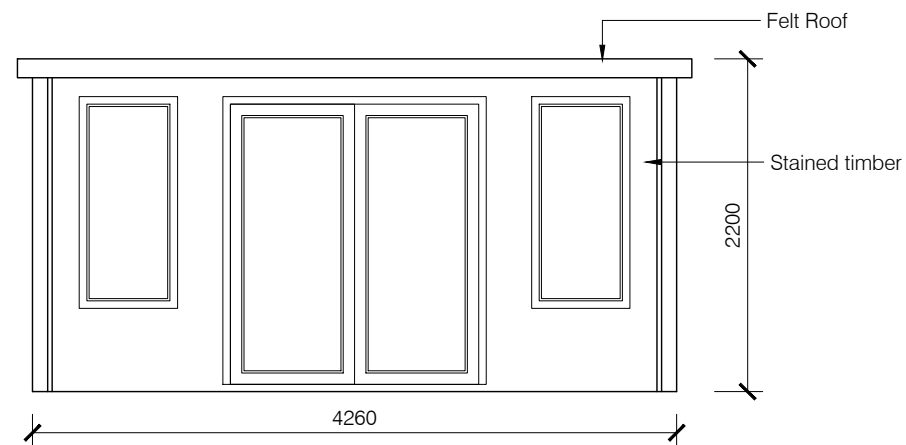


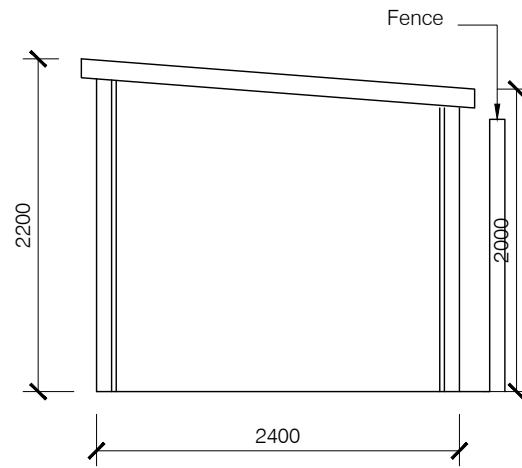
PLAN



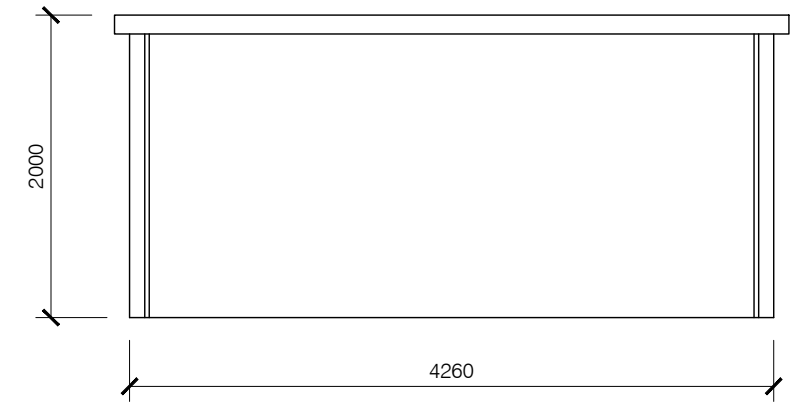
SIDE ELEVATION



FRONT (GARDEN) ELEVATION



SIDE ELEVATION



REAR ELEVATION



Revision	Date	Description	Drawn

This drawing is covered by copyright which remains with DPH Architect, and must not be reproduced in any form without their express permission. This drawing should not be scaled for construction purposes, use figured dimensions only.

Client HELEN WALLIS			
Project 5 BEACON HEIGHTS, MERTHYR TYDFIL, CF48 1NL			
Drawing SUMMER HOUSE PLAN AND ELEVATIONS			
Scale 1:50 @ A3	Date 05.04.2025	Drawn DPH	Checked
Job No. 146	Dwg No. PL 03	Revision	Status PLANNING



6 WEST GROVE
MERTHYR TYDFIL
CF47 8HJ
T: 07947 243847
www.dpharchitect.co.uk